

ASEPTIQUICK® G CONNECTOR



Genderless AseptiQuik® G Connectors

enable quick and easy sterile connections, even in non-sterile environments. The easy-to-use genderless design simplifies system integration and minimizes the risk of operator error. The connectors' robust construction provides enhanced user confidence and reliable performance without the need for clamps, fixtures or tube welders. Biopharmaceutical manufacturers benefit from a full range of interchangeable 1/4" to 3/4" flow solutions with the quality and market availability they expect from the leader in single-use connection technology.

Features	Benefits
Genderless design	Eases integration of single-use systems with universal mating between G connectors
Robust construction	Repeatable and reliable performance with no additional hardware required
FLIP-CLICK-PULL	Innovative three-step connection process reduces risk of operator error
Integrated pull tab covers	Pull tabs act as protective cover reducing part complexity and ensure simultaneous removal of both membranes
Colder Click	Audible confirmation of assembly

Specifications

Pressure:

Up to 43.5 psi, 3.0 bar

Temperature:

34°F to 104°F (1°C to 40°C)

Sterilization:

Gamma: Up to 50kGy irradiation

AutoClave High Temp (HT) Version:

Up to 266°F (130°C) for 30 minutes

Termination Sizes:

1/4", 3/8", 1/2", 3/4" ID hose barb (6.4mm, 9.5mm, 12.7mm, 19.0mm) and 3/4" sanitary

Materials:

Main Components:

Polycarbonate (white), USP Class VI, ADCF

Pull Tabs/Caps:

Polycarbonate (blue, standard version), USP Class VI, ADCF

Polycarbonate (white, HT version), USP Class VI, ADCF

Polycarbonate (white, HT version), USP Class VI, ADCF

Seals:

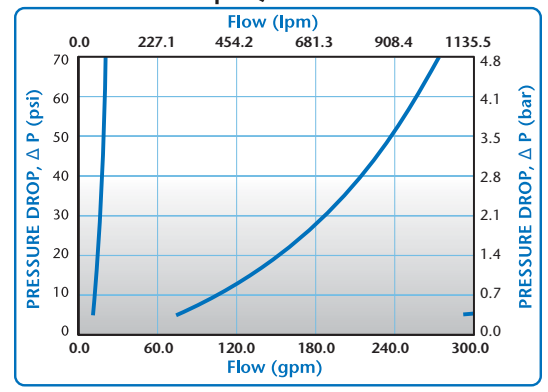
Silicone (clear), platinum-cured, USP Class VI, ADCF

Membrane:

Polyethylene (standard version), USP Class VI, ADCF

Hydrophobic polyethersulfone with PTFE strip (HT version), USP Class VI

AseptiQuik G Flow

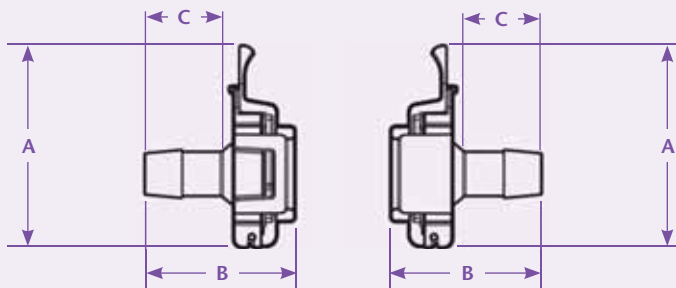


This graph is intended to give you a general idea of the performance capabilities of each product line. The shaded area of the graph represents the operating range of the product family, i.e. upper and lower values are shown. Therefore, depending on the exact coupling configurations selected, you can reasonably expect values to fall within the shaded area.

*Genderless interface allows easy transition between multiple tubing sizes from 1/4" to 3/4".*

## Product Dimensions

A = Height/Diameter  
 B = Total Length  
 C = Hose Barb Length



## Coupling Bodies

### POLYCARBONATE with Blue Pull Tabs



#### TERMINATION

1/4" HOSE BARB  
 3/8" HOSE BARB  
 1/2" HOSE BARB  
 3/4" HOSE BARB  
 3/4" SANITARY

#### PART NO.

AQG17004  
 AQG17006  
 AQG17008  
 AQG17012  
 AQG33012

#### A

2.62  
 2.62  
 2.62  
 2.62  
 2.62

#### B

1.62  
 1.62  
 1.95  
 2.36  
 1.66

#### C

0.82  
 0.82  
 1.15  
 1.56  
 0.86

### POLYCARBONATE HT Version with White Pull Tabs



#### TERMINATION

1/4" HOSE BARB  
 3/8" HOSE BARB  
 1/2" HOSE BARB  
 3/4" HOSE BARB  
 3/4" SANITARY

#### PART NO.

AQG17004HT  
 AQG17006HT  
 AQG17008HT  
 AQG17012HT  
 AQG33012HT

#### A

2.62  
 2.62  
 2.62  
 2.62  
 2.62

#### B

1.62  
 1.62  
 1.95  
 2.36  
 1.66

#### C

0.82  
 0.82  
 1.15  
 1.56  
 0.86



**DID YOU KNOW...** Colder offers a full line of AseptiQuik® Connectors? Biopharmaceutical manufacturers now have an extensive range of options for sterile connect and sterile disconnect of single-use systems.

**AseptiQuik Connectors** enable operators to make a quick and easy sterile connection between two single-use systems, even in non-sterile environments.

**AseptiQuik G Connectors** interchangeable genderless design simplifies system integration, providing manufacturers with even more options for making quick and easy sterile connections.


**AseptiQuik S Connectors** deliver quick and easy genderless sterile connections for 1/8" and 1/4" small-flow applications.

**AseptiQuik X Connectors** provide quick and easy 1" sterile connections for high-flow applications.

**AseptiQuik DC Connectors** are the first all-in-one connector to enable operators to make both a sterile connect and a sterile disconnect.

**AseptiQuik STC Connectors** allow operators to use a Steam-In-Place (SIP) process to connect an AseptiQuik sterile connector to stainless processing equipment.

All of our bioprocessing connections are manufactured in an ISO Class 7 certified cleanroom and all fluid contact materials meet USP Class VI and ADCF requirements. Contact us for validation reports, biocompatibility and extractables data.

 | Call toll free 1-800-444-2474 or visit us at [www.colder.com](http://www.colder.com)

Copyright © 2013 by Colder Products Company. All rights reserved. Colder Products Company, Colder Products and CPC are registered trademarks with the US Patent & Trademark Office.

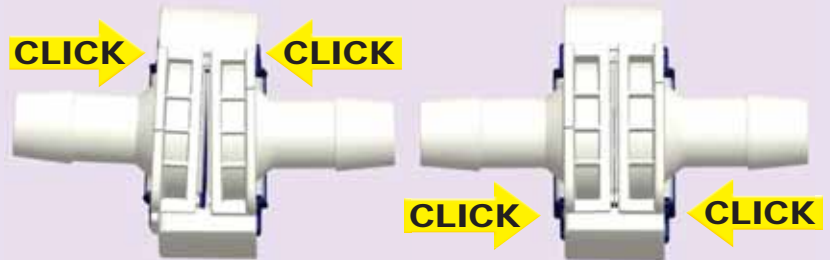
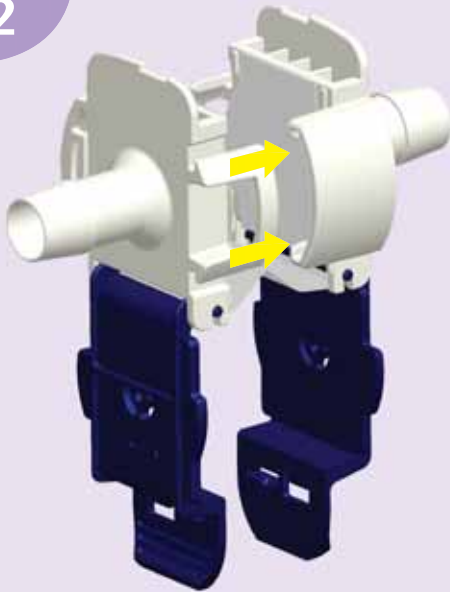
## FLIP-CLICK-PULL Assembly Procedure

1

Unsnap and flip down the protective pull tab covers on each connector half.



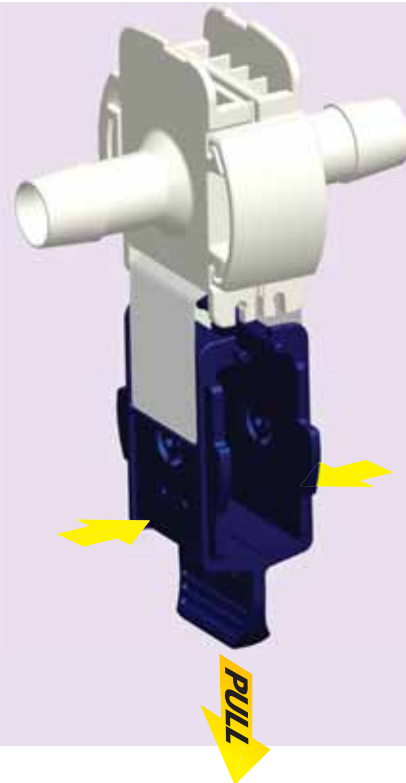
2



Align the connector halves with the pull tabs hanging down. Slide the two halves together. Independently squeeze each side of the connector until you hear an audible "Colder Click."

3

To complete the connection, simply snap the pull tabs together by pushing on the CPC logos and pull the membranes from the connector.





## COLDER PRODUCTS COMPANY

Colder Products Company is the leader in the design and manufacture of single-use connection technology and connectors for the life sciences markets. Colder offers a wide variety of bioprocessing solutions including sterile connect, sterile disconnect, SIP connections and quick connects. Our innovative designs provide flexibility for biopharmaceutical manufacturers to easily combine multiple components, single-use or hybrid systems including process containers, tubing manifolds, transfer lines, bioreactors and other bioprocess equipment.

Robust and easy-to-use single-use connectors from Colder maintain flow path sterility and integrity while enabling biopharmaceutical manufacturers to improve production yields, decrease time-to-market and reduce costs. Colder is ISO 13485 certified and our products for bioprocessing applications are manufactured in an ISO Class 7 certified cleanroom.

For applications where reliability and sterility are a must, Connect with Colder.

Founded in St. Paul, Minn. in 1978, Colder offers more than 10,000 standard and custom products with offices in nine countries and distributor representation in North America, Europe, Asia, South America and Australia. Colder is a Dover company.



**Colder Products Company**  
1001 Westgate Drive  
St. Paul, Minnesota 55114  
U.S.A.

Phone: +1 651-645-0091  
Fax: +1 651-645-5404  
Toll Free: 800-444-2474  
info@colder.com  
[www.colder.com](http://www.colder.com)

**Colder Products Company GmbH**  
Schmalweg 50  
D-55252 Mainz-Kastel  
Germany

Phone: +49-6134-2878-0  
Fax: +49-6134-287828

cpcgmbh@colder.com  
[www.colder.com](http://www.colder.com)

**Colder Products Company Limited**  
Flat B, 29/F., West Gate Tower,  
7 Wing Hong Street,  
Cheung Sha Wan.  
Kowloon, Hong Kong  
Phone: +852-2987-5272  
Fax: +852-2987-2509

asiapacific@colder.com  
[www.colder.com](http://www.colder.com)

*Distributed by:*

**Colder Patent Statement:** Colder Products Company takes pride in its innovative quick disconnect coupling solutions, many of which have been awarded United States and International patents. Colder Products Company has a strong tradition of leadership in the quick disconnect market, and aggressively pursues and protects its proprietary information and intellectual property. In cases where it is practical and as a benefit to its customers, Colder Products Company has licensed its proprietary technology. Please contact Colder Products to discuss your unique needs.

**CPC Warranty Statement:** Colder Products Company warrants its products against defects in workmanship and materials a period of 12 months from the date of sale by Colder Products Company to its initial customer (regardless of any subsequent sale of the products). This warranty is void if the product is misused, altered, tampered with or is installed or used in a manner that is inconsistent with Colder Product Company's written recommendations, specifications and/or instructions, or fails to perform due to normal wear and tear. Colder Products Company does not warrant the suitability of the product for any particular application. Determining product application suitability is solely the customer's responsibility. Colder Products Company is not liable for special, indirect, incidental, consequential or other damages including, but not limited to, loss, damage, personal injury, or any other expense directly or indirectly arising from the use of or inability to use its products either separately or in combination with other products. ALL OTHER WARRANTIES EXPRESS OR IMPLIED, WHETHER ORAL, WRITTEN OR IN ANY OTHER FORM, INCLUDING BUT NOT LIMITED TO WARRANTIES OF MERCHANTABILITY OR FITNESS FOR A PARTICULAR PURPOSE, ARE EXPRESSLY EXCLUDED.

The sole and exclusive remedy under this warranty is limited, at the option of Colder Products Company, to replacement of the defective product or an account credit in the amount of the original selling price. All allegedly defective Colder Products Company products must be returned prepaid transportation to Colder Products Company, together with information describing the product's application and performance, unless otherwise authorized in writing by Colder Products Company.

**WARNING:** Due to the wide variety of possible fluid media and operating conditions, unintended consequences may result from the use of this product, all of which are beyond the control of Colder. It is the user's responsibility to carefully determine and test for compatibility for use with their application. All such risks shall be assumed by the buyer.